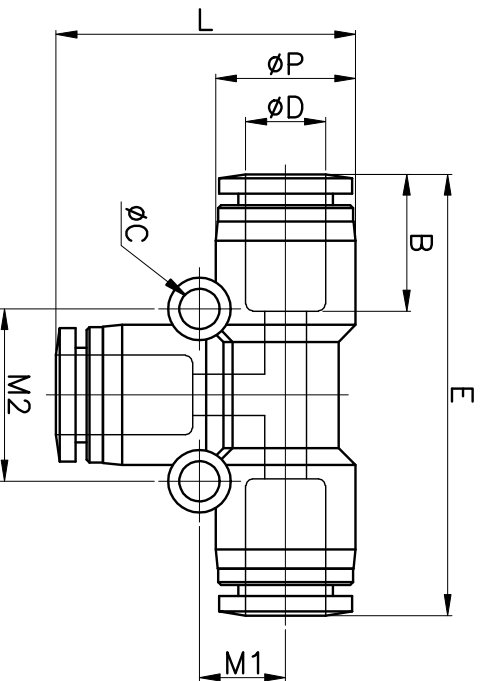


PUT



MODEL	ϕD	ϕP	L	E	ϕC	B	M1	M2	ORIFICE	WEIGHT (g)	BOX(EA)
PUT04	4	10.5	24.0	36.3	3.3	14.9	6.4	12.6	2.6	7.0	100
PUT06	6	12.5	27.3	41.5	3.3	16.4	7.7	15.4	5.0	10.0	50
PUT08	8	14.5	31.0	45.6	4.3	18.7	8.9	17.8	6.5	13.0	50
PUT10	10	17.5	34.1	48.4	4.3	20.1	9.8	19.7	8.0	19.0	25
PUT12	12	20.5	40.1	57.3	4.3	22.8	13.2	26.3	10.0	29.0	25
PUT14	14	23.3	43.5	63.5	4.3	23.5	13.7]	27.3	12.0	39.0	15
PUT16	16	25.5	47.0	68.6	5.3	24.1	15.9	31.8	13.0	50.0	15